

Features

- ◆ Various high power surface mountable type inductors are superior high saturation

Applications

- ◆ Portable communication equipment
- ◆ Notebook computers
- ◆ DC/DC converters,etc.
- ◆ LCD television

Description Of Part Name

HPWL = F CD 105 T 1R0 M F XX
 A B C D E F G H I

A

Type	
HPWL	wire wound power inductor

B

Material Code	
F	Ferrite

C

Core material type	
CDR	

D

External Dimensions (L×T) (mm)	
A=10	10.0±0.4
C=5	5.4±0.4

E

Packing	
T	Tape & Reel

F

Nominal Inductance	
Example	Nominal Value
1R0	10uH
※R=Point, N=nH	

G

Inductance Tolerance	
J	±5%
K	±10%
M	±20%

H

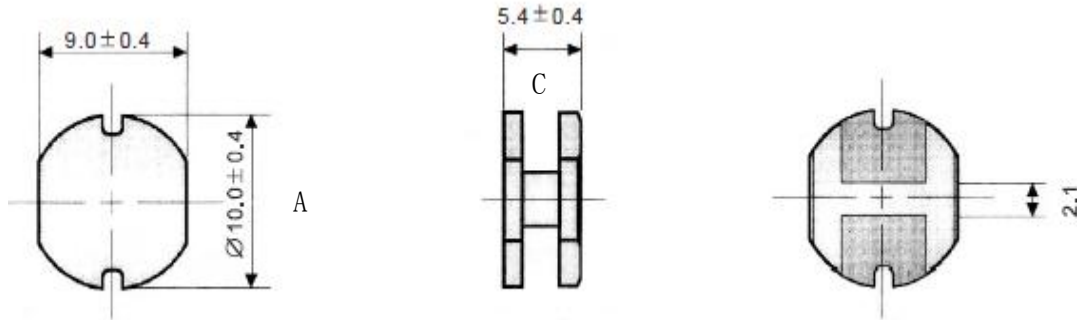
Hazardous Substance Free Products	
F	

I

Internal Code	
XX	

The data is reference only. Customers should verify actual device performance in their specific applications. Specifications are subject to change without notice. Please check our website for latest information.
<http://www.ftind.com>

SHAPES & DIMENSIONS (unit: mm)



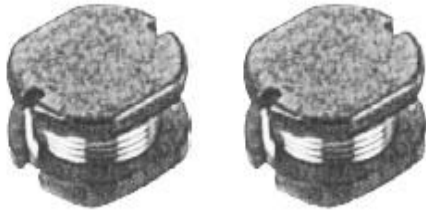
SPECIFICATION TABLE:

Type	Inductance(μH)	DC Resistance (Ω)Max	Rated Current (A)(Max)	Test Frequency
HPWL-FCD105T100MF	10	0.06	3.80	2.52MHz
HPWL-FCD105T101MF	12	0.07	3.40	2.52MHz
HPWL-FCD105T102MF	15	0.08	2.90	2.52MHz
HPWL-FCD105T103MF	18	0.09	2.65	2.52MHz
HPWL-FCD105T220MF	22	0.10	2.50	2.52MHz
HPWL-FCD105T270MF	27	0.11	2.25	2.52MHz
HPWL-FCD105T330LF	33	0.12	2.00	2.52MHz
HPWL-FCD105T390LF	39	0.13	1.90	2.52MHz
HPWL-FCD105T470LF	47	0.15	1.70	2.52MHz
HPWL-FCD105T560KF	56	0.19	1.60	2.52MHz
HPWL-FCD105T680KF	68	0.22	1.45	2.52MHz
HPWL-FCD105T820KF	82	0.25	1.30	2.52MHz
HPWL-FCD105T101KF	100	0.33	1.15	1 KHz
HPWL-FCD105T121KF	120	0.40	1.00	1 KHz
HPWL-FCD105T151KF	150	0.45	0.95	1 KHz
HPWL-FCD105T181KF	180	0.60	0.85	1 KHz
HPWL-FCD105T221KF	220	0.70	0.75	1 KHz
HPWL-FCD105T271KF	270	0.95	0.70	1 KHz
HPWL-FCD105T331KF	330	1.10	0.60	1 KHz
HPWL-FCD105T391KF	390	1.20	0.55	1 KHz
HPWL-FCD105T471KF	470	1.45	0.50	1 KHz
HPWL-FCD105T561KF	560	1.90	0.48	1 KHz
HPWL-FCD105T681KF	680	2.25	0.45	1 KHz
HPWL-FCD105T821KF	820	2.50	0.40	1 KHz

Inductance Tolerance: J: 5% K: 10% L: 15% M: 20%

▲Special inquiries besides the above common used types can be met on your requirement.

The data is reference only. Customers should verify actual device performance in their specific applications. Specifications are subject to change without notice. Please check our website for latest information.
<http://www.ftind.com>



Features

- ◆ Various high power surface mountable type inductors are superior high saturation

Applications

- ◆ Portable communication equipment
- ◆ Notebook computers
- ◆ DC/DC converters,etc.
- ◆ LCD television

Description Of Part Name

HPWL : F CD 104 T 1R0 M F XX
 A B C D E F G H I

A

Type	
HPWL	wire wound power inductor

B

Material Code	
F	Ferrite

C

Core material type	
CDR	

D

External Dimensions (L×T) (mm)	
A=10	10.0±0.3
C=4	4.0±0.5

E

Packing	
T	Tape & Reel

F

Nominal Inductance	
Example	Nominal Value
1R0	10uH
※R=Point, N=nH	

G

Inductance Tolerance	
J	±5%
K	±10%
M	±20%

H

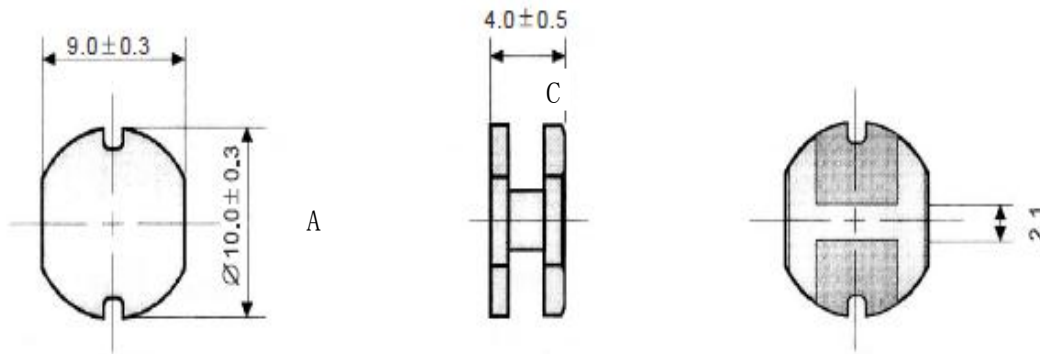
Hazardous Substance Free Products	
F	

I

Internal Code	
XX	

The data is reference only. Customers should verify actual device performance in their specific applications. Specifications are subject to change without notice. Please check our website for latest information.
<http://www.ftind.com>

SHAPES & DIMENSIONS (unit: mm)



SPECIFICATION TABLE:

Type	Inductance(μH)	DC Resistance (Ω)Max	Rated Current (A)(Max)	Test Frequency
HPWL-FCD104T100MF	10	0.05	2.90	2.52MHz
HPWL-FCD104T120MF	12	0.06	2.80	2.52MHz
HPWL-FCD104T150MF	15	0.07	2.30	2.52MHz
HPWL-FCD104T180MF	18	0.08	2.15	2.52MHz
HPWL-FCD104T220MF	22	0.09	2.10	2.52MHz
HPWL-FCD104T270MF	27	0.10	1.90	2.52MHz
HPWL-FCD104T330LF	33	0.12	1.85	2.52MHz
HPWL-FCD104T390LF	39	0.15	1.45	2.52MHz
HPWL-FCD104T470LF	47	0.17	1.35	2.52MHz
HPWL-FCD104T560KF	56	0.20	1.30	2.52MHz
HPWL-FCD104T680KF	68	0.22	1.20	2.52MHz
HPWL-FCD104T820KF	82	0.25	1.00	2.52MHz
HPWL-FCD104T101KF	100	0.30	0.95	1 KHz
HPWL-FCD104T121KF	120	0.40	0.90	1 KHz
HPWL-FCD104T151KF	150	0.50	0.80	1 KHz
HPWL-FCD104T181KF	180	0.62	0.70	1 KHz
HPWL-FCD104T221KF	220	0.72	0.65	1 KHz
HPWL-FCD104T271KF	270	0.95	0.57	1 KHz
HPWL-FCD104T331KF	330	1.10	0.55	1 KHz
HPWL-FCD104T391KF	390	1.20	0.50	1 KHz
HPWL-FCD104T471KF	470	1.52	0.45	1 KHz

Inductance Tolerance: J: 5% K: 10% L: 15% M: 20%

▲Special inquiries besides the above common used types can be met on your requirement.

The data is reference only. Customers should verify actual device performance in their specific applications. Specifications are subject to change without notice. Please check our website for latest information.
<http://www.ftind.com>



Features

- ◆ Various high power surface mountable type inductors are superior high saturation

Applications

- ◆ Portable communication equipment
- ◆ Notebook computers
- ◆ DC/DC converters, etc.
- ◆ LCD television

Description Of Part Name

HPWL = **F** **CD** **73** **T** **1R0** **M** **F** **XX**
 A B C D E F G H I

A

Type	
HPWL	wire wound power inductor

B

Material Code	
F	Ferrite

C

Core material type	
CDR	

D

External Dimensions (W) (mm)	
B=73	7.0±0.3

E

Packing	
T	Tape & Reel

F

Nominal Inductance	
Example	Nominal Value
1R0	10uH
※R=Point, N=nH	

G

Inductance Tolerance	
J	±5%
K	±10%
M	±20%

H

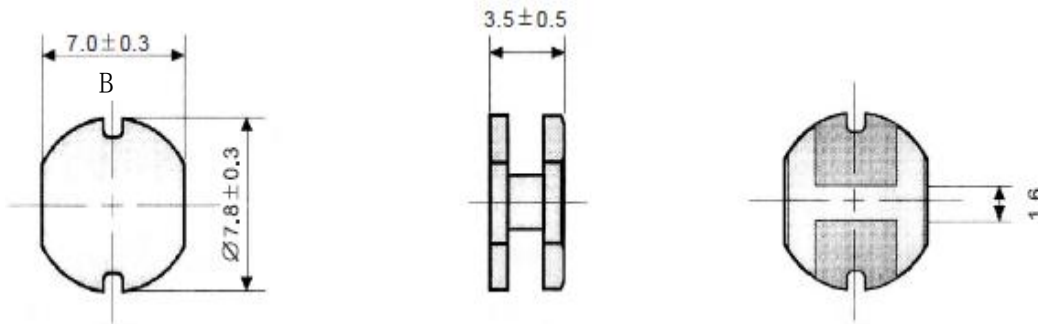
Hazardous Substance Free Products	
F	

I

Internal Code	
XX	

The data is reference only. Customers should verify actual device performance in their specific applications. Specifications are subject to change without notice. Please check our website for latest information.
<http://www.ftind.com>

SHAPES & DIMENSIONS (unit: mm)



SPECIFICATION TABLE:

Type	Inductance(μH)	DC Resistance (Ω)Max	Rated Current (A)(Max)	Test Frequency
HPWL-FCD73T100MF	10	0.080	2.10	2.52MHz
HPWL-FCD73T120MF	12	0.090	1.80	2.52MHz
HPWL-FCD73T150MF	15	0.095	1.70	2.52MHz
HPWL-FCD73T180MF	18	0.110	1.40	2.52MHz
HPWL-FCD73T220MF	22	0.130	1.35	2.52MHz
HPWL-FCD73T270MF	27	0.145	1.25	2.52MHz
HPWL-FCD73T330LF	33	0.170	1.05	2.52MHz
HPWL-FCD73T390LF	39	0.215	0.95	2.52MHz
HPWL-FCD73T470LF	47	0.250	0.90	2.52MHz
HPWL-FCD73T560KF	56	0.280	0.80	2.52MHz
HPWL-FCD73T680KF	68	0.330	0.75	2.52MHz
HPWL-FCD73T820KF	82	0.405	0.70	2.52MHz
HPWL-FCD73T101KF	100	0.480	0.65	1 KHz
HPWL-FCD73T121KF	120	0.535	0.60	1 KHz
HPWL-FCD73T151KF	150	0.750	0.55	1 KHz
HPWL-FCD73T181KF	180	1.020	0.50	1 KHz
HPWL-FCD73T221KF	220	1.200	0.45	1 KHz
HPWL-FCD73T271KF	270	1.305	0.37	1 KHz
HPWL-FCD73T331KF	330	1.495	0.35	1 KHz

Inductance Tolerance: J: 5% K: 10% L: 15% M: 20%

▲Special inquiries besides the above common used types can be met on your requirement.

The data is reference only. Customers should verify actual device performance in their specific applications. Specifications are subject to change without notice. Please check our website for latest information.

<http://www.ftind.com>



Features

- ◆ Various high power surface mountable type inductors are superior high saturation

Applications

- ◆ Portable communication equipment
- ◆ Notebook computers
- ◆ DC/DC converters,etc.
- ◆ LCD television

Description Of Part Name

HPWL - F CD 54 T 1R0 M F XX
 A B C D E F G H I

A

Type	
HPWL	wire wound power inductor

B

Material Code	
F	Ferrite

C

Core material type	
CDR	

D

External Dimensions (W) (mm)	
B=54	5.2±0.3

E

Packing	
T	Tape & Reel

F

Nominal Inductance	
Example	Nominal Value
1R0	1.0uH
※R=Point, N=nH	

G

Inductance Tolerance	
J	±5%
K	±10%
M	±20%

H

Hazardous Substance Free Products	
F	

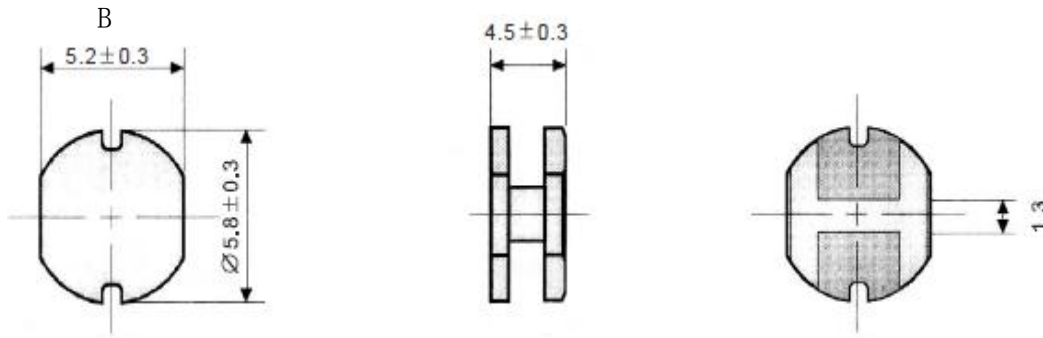
I

Internal Code	
XX	

The data is reference only. Customers should verify actual device performance in their specific applications. Specifications are subject to change without notice. Please check our website for latest information.
<http://www.ftind.com>



SHAPES & DIMENSIONS (unit: mm)



SPECIFICATION TABLE:

Type	Inductance(μH)	DC Resistance (Ω)Max	Rated Current (A)(Max)	Test Frequency
HPWL-FCD54T100MF	10	0.10	1.65	2.52MHz
HPWL-FCD54T120MF	12	0.12	1.55	2.52MHz
HPWL-FCD54T150MF	15	0.14	1.40	2.52MHz
HPWL-FCD54T180MF	18	0.15	1.25	2.52MHz
HPWL-FCD54T220MF	22	0.18	1.10	2.52MHz
HPWL-FCD54T270MF	27	0.20	0.95	2.52MHz
HPWL-FCD54T330LF	33	0.22	0.90	2.52MHz
HPWL-FCD54T390LF	39	0.30	0.80	2.52MHz
HPWL-FCD54T470LF	47	0.35	0.75	2.52MHz
HPWL-FCD54T560KF	56	0.40	0.70	2.52MHz
HPWL-FCD54T680KF	68	0.45	0.65	2.52MHz
HPWL-FCD54T820KF	82	0.60	0.60	2.52MHz
HPWL-FCD54T101KF	100	0.70	0.55	1 KHz
HPWL-FCD54T121KF	120	0.85	0.45	1 KHz
HPWL-FCD54T151KF	150	1.10	0.43	1 KHz
HPWL-FCD54T181KF	180	1.35	0.40	1 KHz
HPWL-FCD54T221KF	220	1.55	0.35	1 KHz

Inductance Tolerance: J: 5% K: 10% L: 15% M: 20%

▲Special inquiries besides the above common used types can be met on your requirement.

The data is reference only. Customers should verify actual device performance in their specific applications. Specifications are subject to change without notice. Please check our website for latest information.
<http://www.ftind.com>



Features

- ◆ Various high power surface mountable type inductors are superior high saturation

Applications

- ◆ Portable communication equipment
- ◆ Notebook computers
- ◆ DC/DC converters,etc.
- ◆ LCD television

Description Of Part Name

HPWL = **F** **CD 43** **T** **1R0 M F XX**
 A B C D E F G H I

A

Type	
HPWL	Wire wound power Inductor

B

Material Code	
F	Ferrite

C

Core material type	
CDR	

D

External Dimensions (W) (mm)	
B=43	4.0±0.3

E

Packing	
T	Tape & Reel

F

Nominal Inductance	
Example	Nominal Value
1R0	1.0uH
※R=Point, N=nH	

G

Inductance Tolerance	
J	±5%
K	±10%
M	±20%

H

Hazardous Substance Free Products	
F	

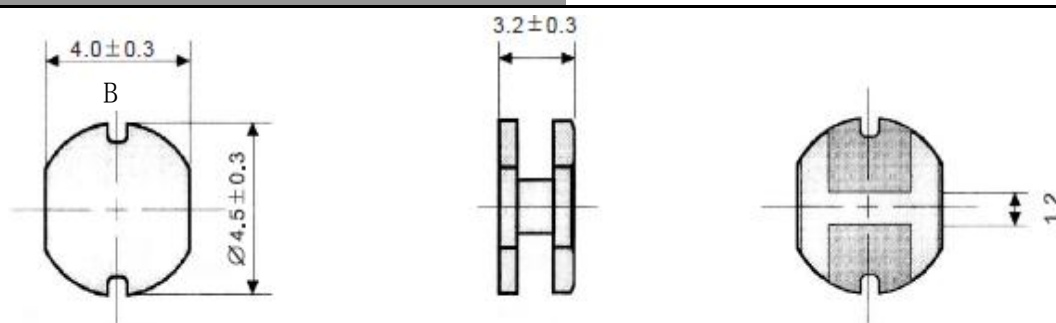
I

Internal Code	
XX	

The data is reference only. Customers should verify actual device performance in their specific applications. Specifications are subject to change without notice. Please check our website for latest information.
<http://www.ftind.com>



SHAPES & DIMENSIONS (unit: mm)



SPECIFICATION TABLE:

Type	Inductance (μH)	DC Resistance (Ω)Max	Rated Current (A)(Max)	Test Frequency
HPWL-FCD43T1R0MF	1.0	0.045	3.50	7.96MHz
HPWL-FCD43T1R4MF	1.4	0.055	2.85	7.96MHz
HPWL-FCD43T1R8MF	1.8	0.060	2.80	7.96MHz
HPWL-FCD43T2R2MF	2.2	0.070	2.40	7.96MHz
HPWL-FCD43T2R7MF	2.7	0.075	2.30	7.96MHz
HPWL-FCD43T3R3MF	3.3	0.085	2.25	7.96MHz
HPWL-FCD43T3R9MF	3.9	0.090	1.70	7.96MHz
HPWL-FCD43T4R7MF	4.7	0.105	1.65	7.96MHz
HPWL-FCD43T5R6MF	5.6	0.120	1.60	7.96MHz
HPWL-FCD43T6R8MF	6.8	0.130	1.40	7.96MHz
HPWL-FCD43T8R2MF	8.2	0.145	1.30	7.96MHz
HPWL-FCD43T100MF	10	0.180	1.10	2.52MHz
HPWL-FCD43T120MF	12	0.210	1.00	2.52MHz
HPWL-FCD43T150MF	15	0.235	0.85	2.52MHz
HPWL-FCD43T180MF	18	0.330	0.80	2.52MHz
HPWL-FCD43T220MF	22	0.360	0.70	2.52MHz
HPWL-FCD43T270MF	27	0.520	0.65	2.52MHz
HPWL-FCD43T330MF	33	0.540	0.60	2.52MHz
HPWL-FCD43T390MF	39	0.580	0.55	2.52MHz
HPWL-FCD43T470MF	47	0.840	0.48	2.52MHz
HPWL-FCD43T560MF	56	0.930	0.46	2.52MHz
HPWL-FCD43T680MF	68	1.110	0.44	2.52MHz

Inductance Tolerance: J: 5% K: 10% L: 15% M: 20%

▲Special inquiries besides the above common used types can be met on your requirement.

The data is reference only. Customers should verify actual device performance in their specific applications. Specifications are subject to change without notice. Please check our website for latest information.

<http://www.ftind.com>